



# TAI-SAW TECHNOLOGY CO., LTD.

No. 3, Industrial 2nd Rd., Ping-Chen Industrial District,  
Taoyuan, 324, Taiwan, R.O.C.

TEL: 886-3-4690038 FAX: 886-3-4697532

E-mail: [tstsales@mail.taisaw.com](mailto:tstsales@mail.taisaw.com) Web: [www.taisaw.com](http://www.taisaw.com)

## Product Specifications Approval Sheet

Product Description: Crystal Unit SMD 1.2x1.0 32MHz

TST Part No.: TZ3525A

Customer Part No.: \_\_\_\_\_

Customer signature required
Company: _____
Division: _____
Approved by : _____
Date: _____

Checked by: \_\_\_\_\_ Chivalry Lin *Chivalry*

Approved by: \_\_\_\_\_ Kelly Huang *Kelly Huang*

Date: \_\_\_\_\_ 02/11/2020

1. Customer signed back is required before TST can proceed with sample build and receive orders.
2. Orders received without customer signed back will be regarded as agreement on the specifications.
3. Any specifications changes must be approved upon by both parties and a new revision of specifications shall be released to reflect the changes.



# TAI-SAW TECHNOLOGY CO., LTD.

Crystal Unit SMD 1.2x1.0 32MHz

MODEL NO.: TZ3525A

REV. NO.: 1

## Revise:

Rev.	Rev. Page	Rev. Account	Date	Ref. No.	Revised by
1	N/A	Initial release	02/11/20'	N/A	Chivalry Lin



# TAI-SAW TECHNOLOGY CO., LTD.

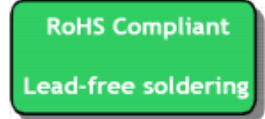
## Crystal Unit SMD 1.2x1.0 32MHz

MODEL NO.: TZ3525A

REV. NO.: 1

### Features:

- Surface Mount Hermetic Package
- Excellent Reliability Performance
- Good Frequency Perturbation and Stability over temperature
- Ultra Miniature Package
- Moisture Sensitivity Level (MSL) : Level-1



### Description and Applications:

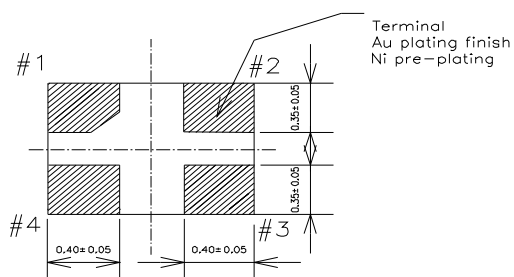
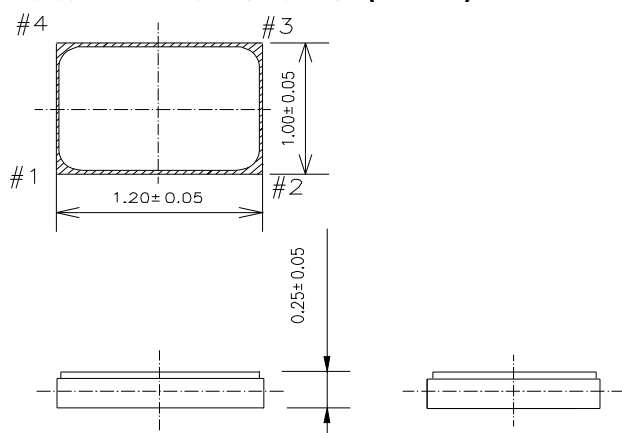
Surface mount 1.2mmx1.0mm crystal unit for use in wireless communications devices, especially for a need of ultra miniature package for mobility.

### Electrical Specifications:

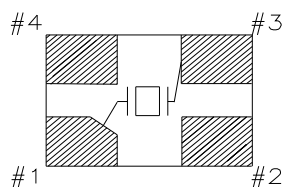
TZ3525A Characteristic	Specification			
	Min	Nom	Max	Unit
Nominal Frequency		32.000000		MHz
Mode of Oscillation		Fundamental		°C
Storage Temperature Range	-40		105	°C
Operating Temperature Range	-40		85	°C
Initial frequency tolerance(25°C ± 3°C)	-4		8	ppm
Frequency drift after reflow(After two reflows)	-1		1	ppm
Tolerance over temperature(-30°C to 85°C)	-12		10	ppm
Aging(Five years)	-2		0	ppm
Frequency perturbations	-1		1	ppm
<b>Total Budget(ppm)</b>	<b>-20</b>		<b>20</b>	<b>ppm</b>
Initial frequency tolerance(25°C ± 3°C)	-4		8	ppm
Frequency drift after reflow(After two reflows)	-1		1	ppm
Tolerance over temperature(-40°C to 85°C)	-17		15	ppm

Aging(Five years)	-2		0	ppm
Frequency perturbations	-1		1	ppm
<b>Total Budget(ppm)</b>	<b>-25</b>		<b>25</b>	<b>ppm</b>
Equivalent Series Resistance (ESR)		44.40	80	$\Omega$
Spurious mode series resistance	1100			$\Omega$
Motional inductance		28.15		mH
Pullability/Sensitivity		11.06	20	ppm/pF
Motional capacitance		0.88		fF
Shunt capacitance		0.31	1.0	pF
Nominal Drive Level	0.01	10	200	$\mu$ W
Load Capacitance (CL) (Measure by Saunders(S&A) Network Analyzer 250B)		6		pF
Insulation Resistance(DC 100V)	500			MR
Package size		1.2x1.0	1.3 x 1.1	mm <sup>2</sup>
Package height			0.30	mm

## Mechanical Dimensions (mm):

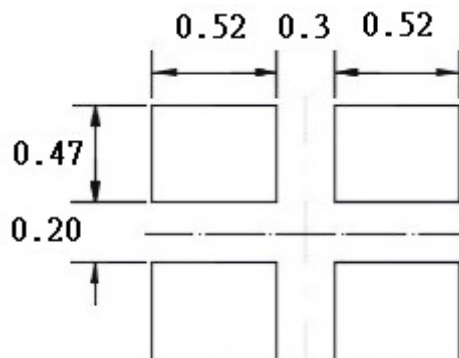


Terminal land connection (TOP VIEW)



#1	XTAL IN
#2	GND(CONNECTION WITH COVER)
#3	XTAL OUT
#4	NC

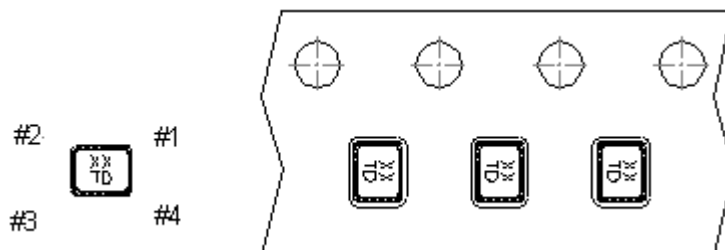
## Recommended Land Pattern: (unit: mm)



## Marking:

Line 1: XX; Frequency (32)

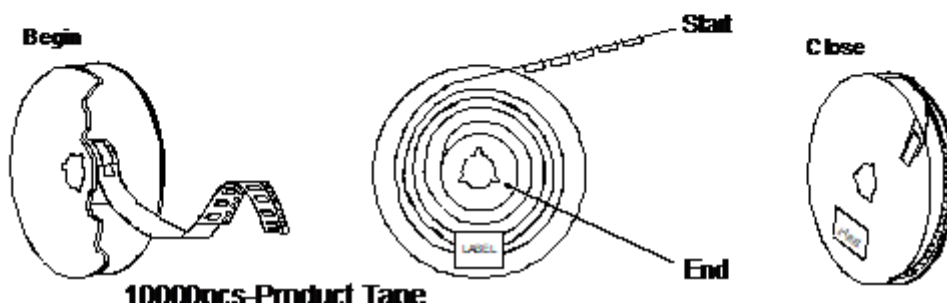
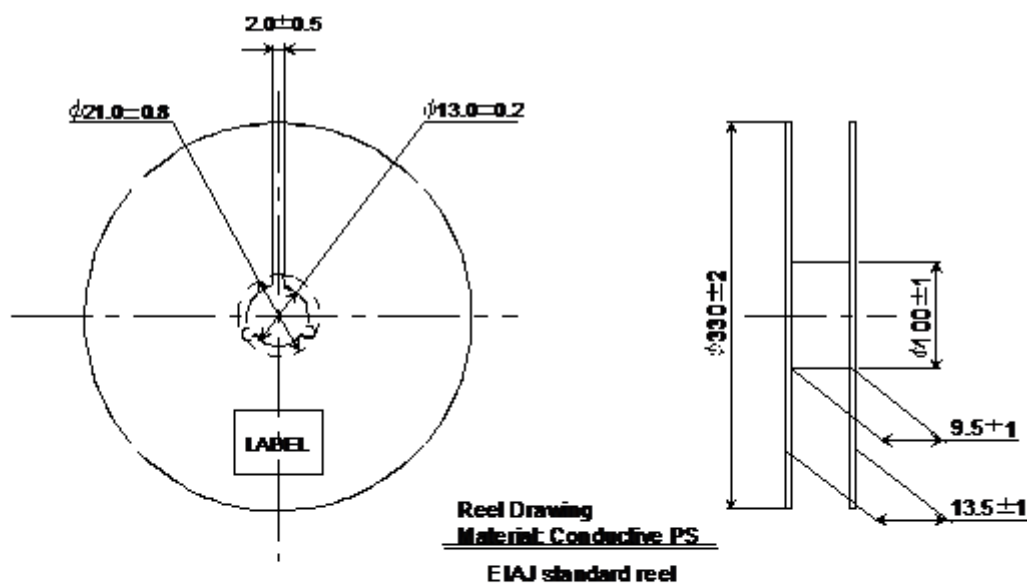
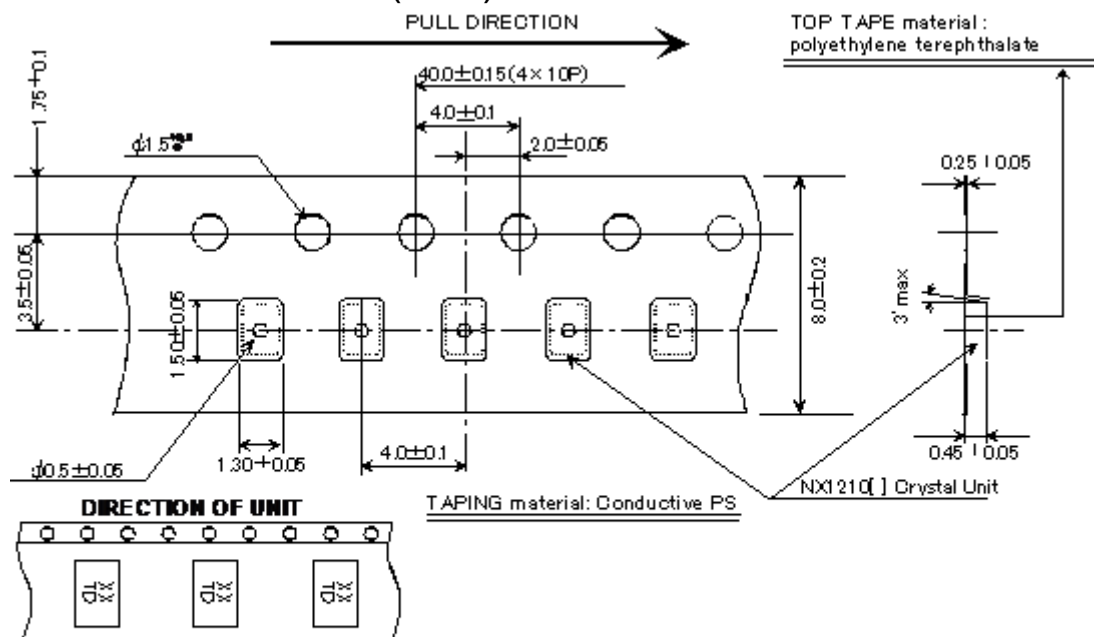
Line 2: T; Traceable Code + D; date Code of Year/Month



## Date Code Table: Year/Month

Year/Month	1	2	3	4	5	6	7	8	9	10	11	12
2016	a	b	c	d	e	f	g	h	i	j	k	m
2017	n	p	q	r	s	t	u	v	w	x	y	z
2018	A	B	C	D	E	F	G	H	J	K	L	M
2019	N	P	Q	R	S	T	U	V	W	X	Y	Z
2020	a	b	c	d	e	f	g	h	i	j	k	m
2021	n	p	q	r	s	t	u	v	w	x	y	z
2022	A	B	C	D	E	F	G	H	J	K	L	M
2023	N	P	Q	R	S	T	U	V	W	X	Y	Z
2024	a	b	c	d	e	f	g	h	i	j	k	m
2025	n	p	q	r	s	t	u	v	w	x	y	z

## Tape/Reel Dimensions (mm):

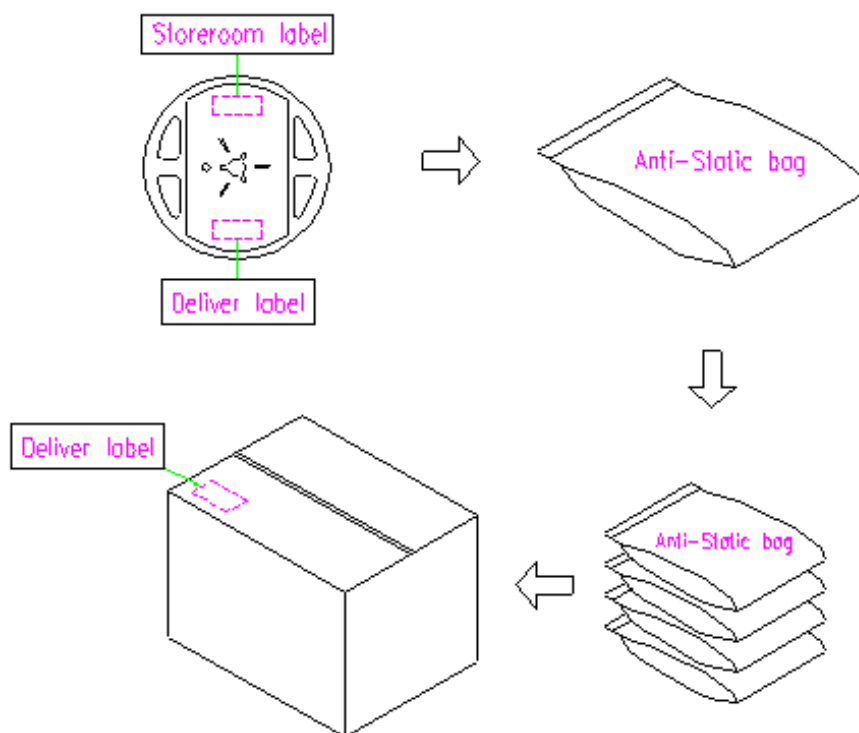


### [NOTE]:

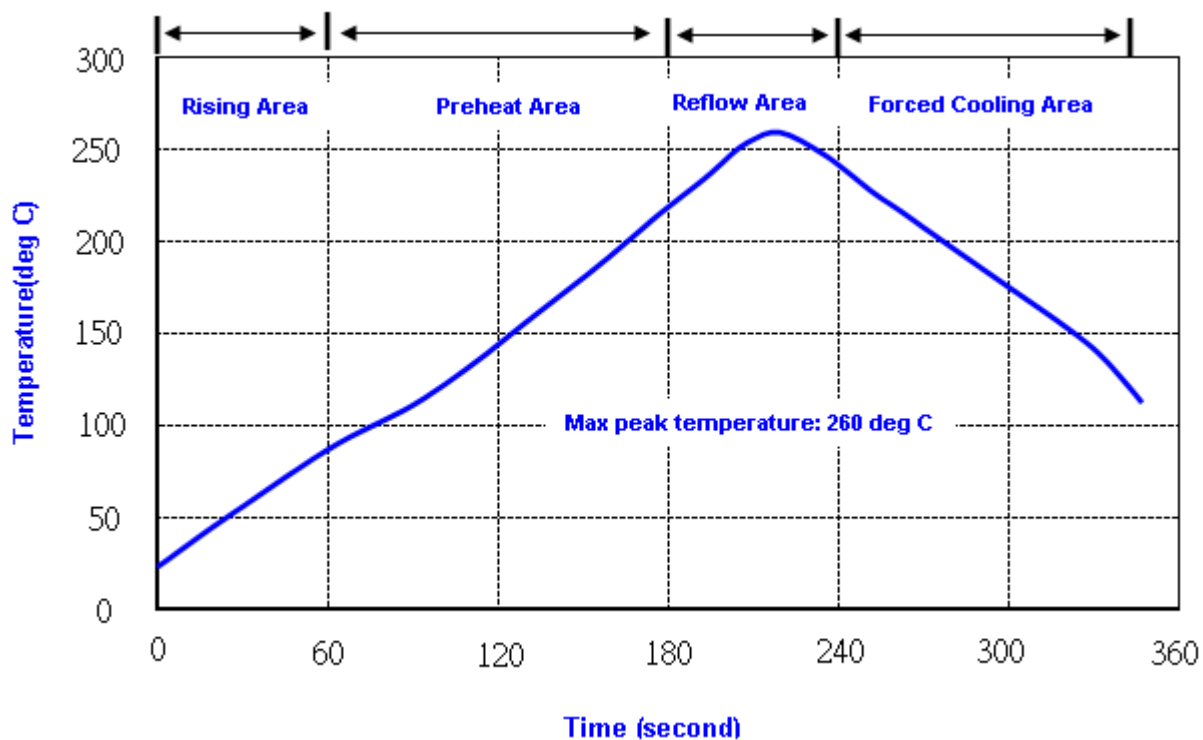
1. Unless otherwise specified tolerance on dimension  $\pm 0.1$  mm.
2. Material: conductive polystyrene with color black.
3. 10 pitch cumulative tolerance  $\pm 0.2$  mm.

## Packing Quantity/Packing:

3K pcs maximum per reel



## Reflow Profile:



Note: 1. Max peak temperature: 260+/-5 deg C; Time: 10+/-2 sec

2. Temperature: 217+/-5 deg C; Time: 90~100 sec

## Reliability Specifications

Test name	Test process / method	Reference standard
<b>Mechanical characteristics</b>		
resistance to Soldering heat (IR reflow)	Temp/ Duration : 265°C /10sec ×2 times Total time : 4min.(IR-reflow)	EIAJED-4701 -300(301)M(II)
Vibration	Total peak amplitude : 1.5mm Vibration frequency : 10 to 2000 Hz Sweep period : 20 minute Vibration directions : 3 mutually perpendicular Duration : 2 hr / direc.	MIL-STD 202G method 204
Mechanical Shock	directions : 3 impacts per axis Acceleration : 3000g's, +20/-0 % Duration : 0.3 ms (total 18 shocks) Waveform : Half-sine	MIL-STD 202G method 213
Solderability	Solder Temperature:265±5 °C Duration time: 5±0.5 seconds.	J-STD-002
<b>Environmental characteristics</b>		
Thermal Shock	Heat cycle conditions -40 °C (30min) ↔ 85 °C (30min) * cycle time : 10 times	MIL-STD 883G method 1010.8
Humidity test	Temperature : 85 ± 2 °C Relative humidity : 85% Duration : 96 hours	MIL-STD 202G method 103
Dry heat ( Aging test )	Temperature : 125 ± 2 °C Duration : 168 hours	MIL-STD 202G method 108A
Cold resistance (Low Temp Storage)	Temperature : -40 ± 2 °C Duration : 96 hours	IEC 60068-2-1