



TAI-SAW TECHNOLOGY CO., LTD.

No. 3, Industrial 2nd Rd., Ping-Chen Industrial District,
Taoyuan, 324, Taiwan, R.O.C.

TEL: 886-3-4690038 FAX: 886-3-4697532

E-mail: tstsales@mail.taisaw.com Web: www.taisaw.com

Product Specifications Approval Sheet

Product Description: SAW Filter 2442 MHz (BW 84 MHz) SMD 1.4 x 1.1mm

TST Part No.: TA2604B

Customer Part No.: _____

Customer signature required
Company: _____
Division: _____
Approved by : _____
Date: _____

Checked by: _____ Sam Lin *Sam Lin*

Approved by: _____ Andy Yu *Andy Yu*

Date: _____ 2020/01/14

1. Customer signed back is required before TST can proceed with sample build and receive orders.
2. Orders received without customer signed back will be regarded as agreement on the specifications.
3. Any specifications changes must be approved upon by both parties and a new revision of specifications shall be released to reflect the changes.



TAI-SAW TECHNOLOGY CO., LTD.

No. 3, Industrial 2nd Rd., Ping-Chen Industrial District,
Taoyuan, 324, Taiwan, R.O.C.

TEL: 886-3-4690038 FAX: 886-3-4697532

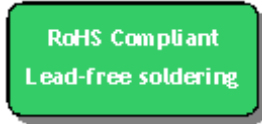
E-mail: tstsales@mail.taisaw.com Web: www.taisaw.com

SAW Filter 2442 MHz (BW 84 MHz) SMD 1.4 x 1.1mm
MODEL NO.:TA2604B

REV. NO.:2.0

A. MAXIMUM RATING:

1. Input Power Level: +28 dBm
2. DC Voltage : 0V
3. Operating Temperature: -40°C to +85°C
4. Storage Temperature: -40°C to +85°C
5. Moisture Sensitive Level: Level 3 (MSL3)
6. ESD 50V(MM), 100V(HBM).



Electrostatic Sensitive Device (ESD)

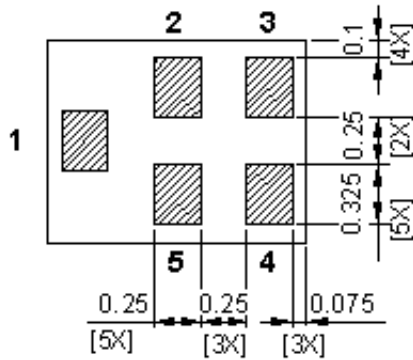
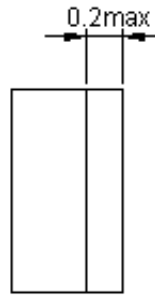
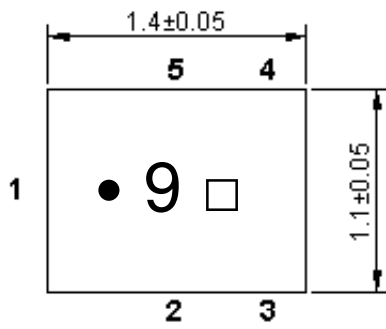
B. ELECTRICAL CHARACTERISTICS:

Terminating source impedance: $Z_s = 50 \Omega$

Terminating load impedance: $Z_L = 50 \Omega$

Item	Unit	Min.	Typ.	Max.
Center Frequency	MHz	-	2442	-
Insertion Loss (2400~2484 MHz)	dB	-	2.3	3.2
Amplitude Ripple (2400~2484 MHz)	dB	-	1.2	2.2
VSWR (2400~2484 MHz)	-	-	1.7	2.5
Attenuation (reference level from 0 dB)				
10 ~ 960 MHz	dB	35	40	-
960 ~ 1570 MHz	dB	28	32	-
1570 ~ 1580 MHz	dB	28	32	-
1580 ~ 1710 MHz	dB	28	32	-
1710 ~ 1910 MHz	dB	28	33	-
1910 ~ 1980 MHz	dB	28	35	-
2110 ~ 2170 MHz	dB	35	40	-
2545 ~ 2575 MHz	dB	40	51	-
2570 ~ 2620 MHz	dB	40	51	-
2595 ~ 2625 MHz	dB	40	51	-
2640 ~ 3000 MHz	dB	35	40	-
3000 ~ 5000 MHz	dB	25	33	-
5000 ~ 6000 MHz	dB	25	29	-

C.OUTLINE DRAWING:



All tolerances are +/-0.05 mm unless otherwise specified
Coplanarity : 0.1 mm max.

1 to 5 : Pin No.

Unit : mm

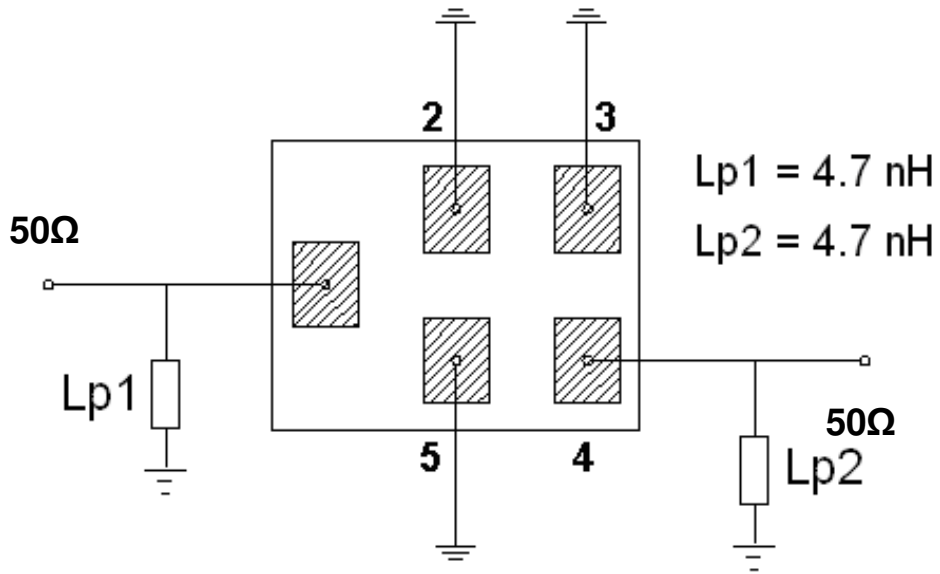
Pin No.	Symbol	Function
1	IN	Input
2	GND	Ground
3	GND	Ground
4	OUT	Output
5	GND	Ground

□ : Year/Month Code (Follow the table)

YEAR/Month	1	2	3	4	5	6	7	8	9	10	11	12
2013	A	B	C	D	E	F	G	H	J	K	L	M
2014	N	P	Q	R	S	T	U	V	W	X	Y	Z
2015	a	b	c	d	e	f	g	h	j	k	l	m
2016	n	p	q	r	s	t	u	v	w	x	y	z
2017	<u>A</u>	<u>B</u>	<u>C</u>	<u>D</u>	<u>E</u>	<u>F</u>	<u>G</u>	<u>H</u>	<u>J</u>	<u>K</u>	<u>L</u>	<u>M</u>
2018	<u>N</u>	<u>P</u>	<u>Q</u>	<u>R</u>	<u>S</u>	<u>T</u>	<u>U</u>	<u>V</u>	<u>W</u>	<u>X</u>	<u>Y</u>	<u>Z</u>
2019	<u>a</u>	<u>b</u>	<u>c</u>	<u>d</u>	<u>e</u>	<u>f</u>	<u>g</u>	<u>h</u>	<u>i</u>	<u>k</u>	<u>l</u>	<u>m</u>
2020	<u>n</u>	<u>p</u>	<u>q</u>	<u>r</u>	<u>s</u>	<u>t</u>	<u>u</u>	<u>v</u>	<u>w</u>	<u>x</u>	<u>y</u>	<u>z</u>

D. MEASUREMENT CIRCUIT:

* By Network analyzer simulation matching with port extension

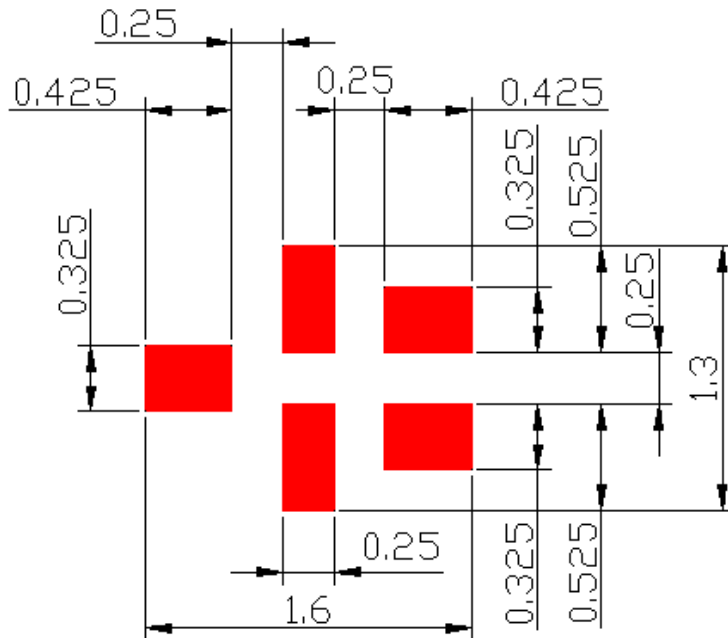


(1): Unbalance Port

(4): Unbalance Port

Others: Ground

E. PCB Footprint:

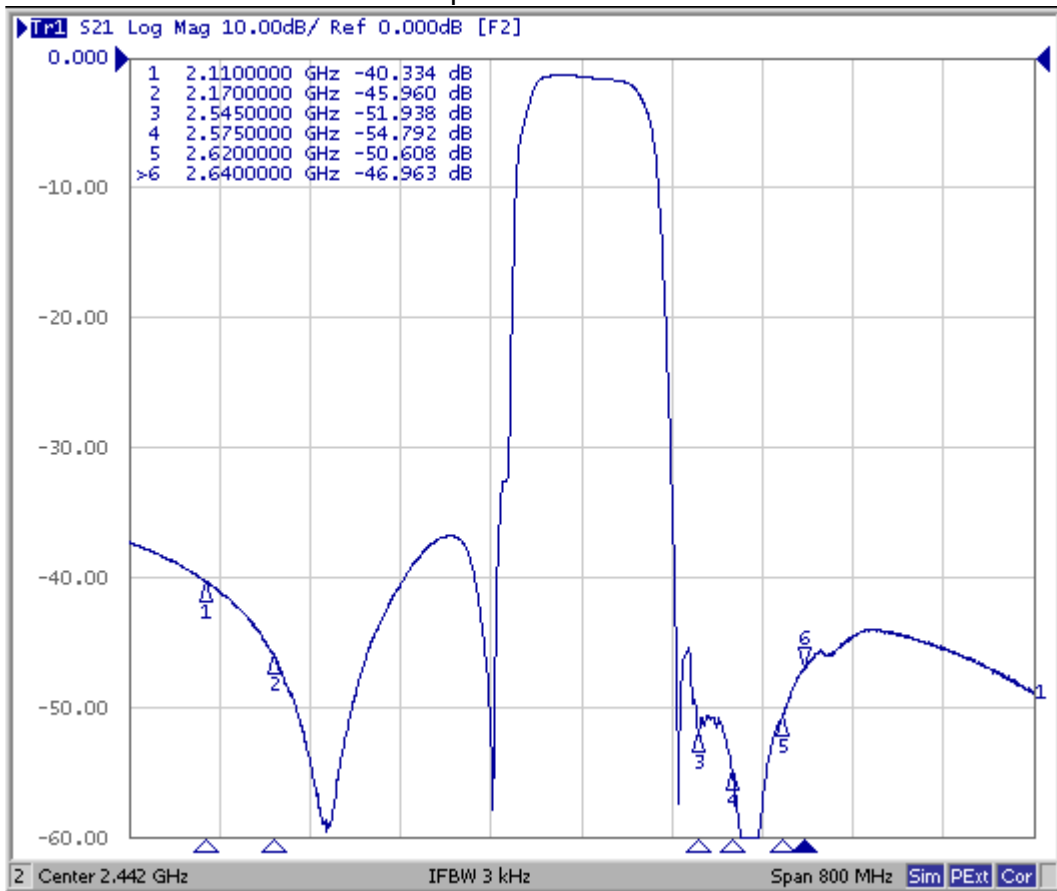


■ : Land Pattern

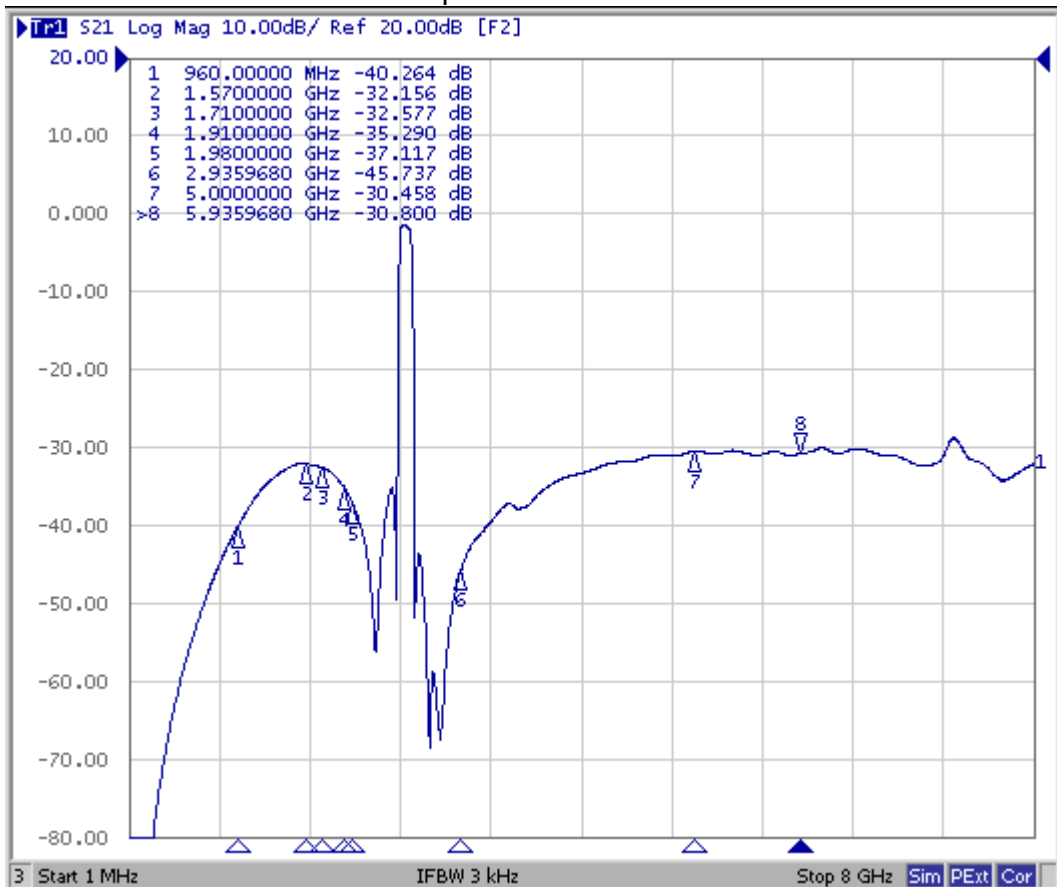
Unit : mm

F. Frequency Characteristics:

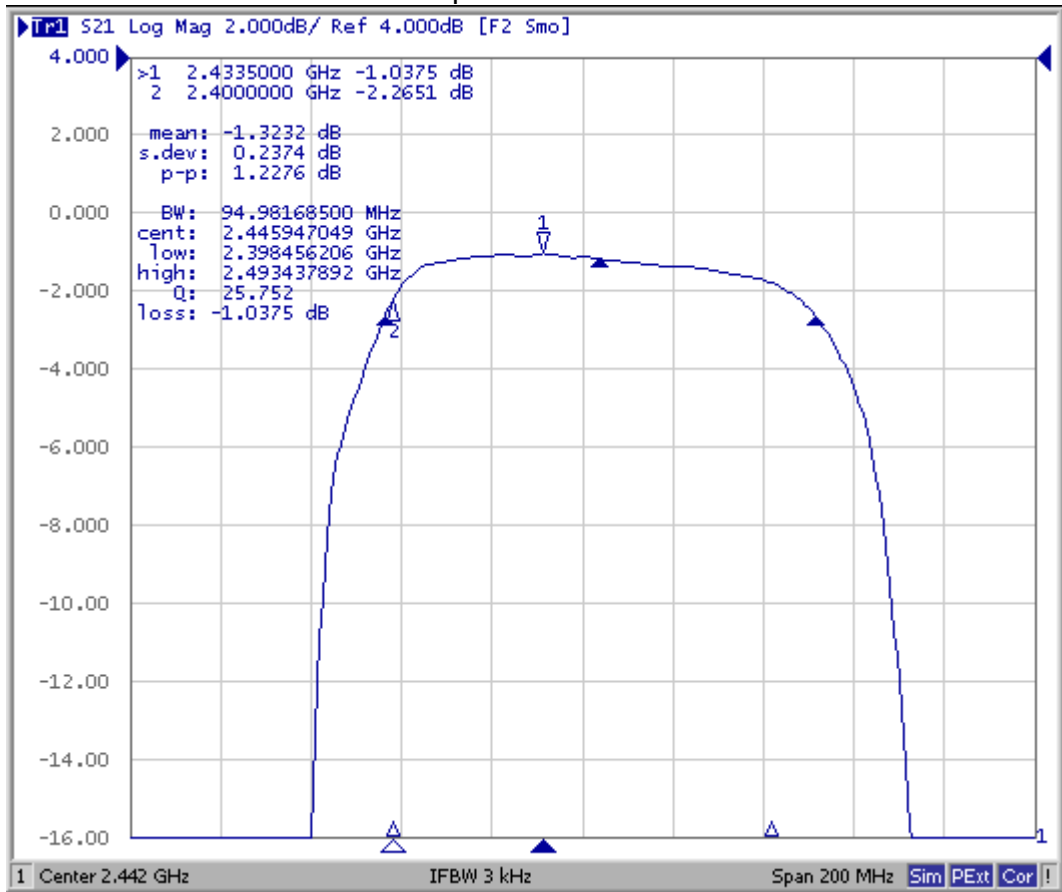
Span 800 MHz



Span 8000 MHz

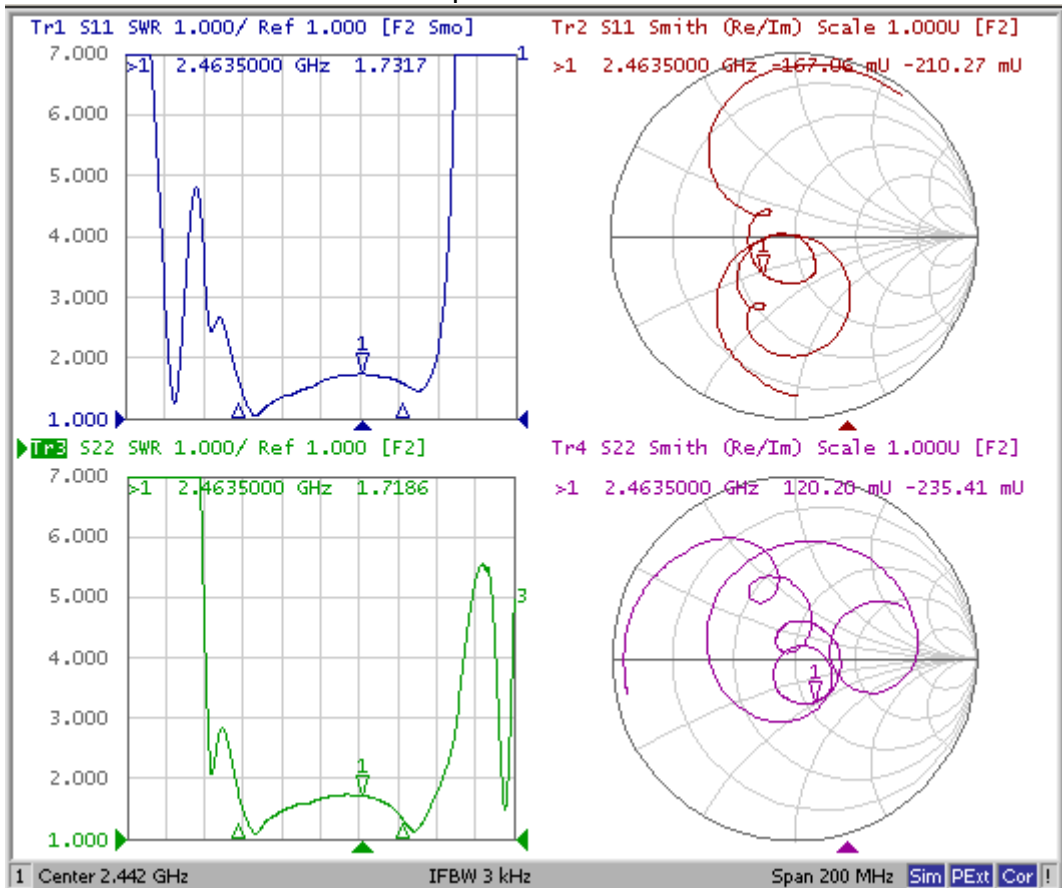


Span 200 MHz



Reflection Functions:

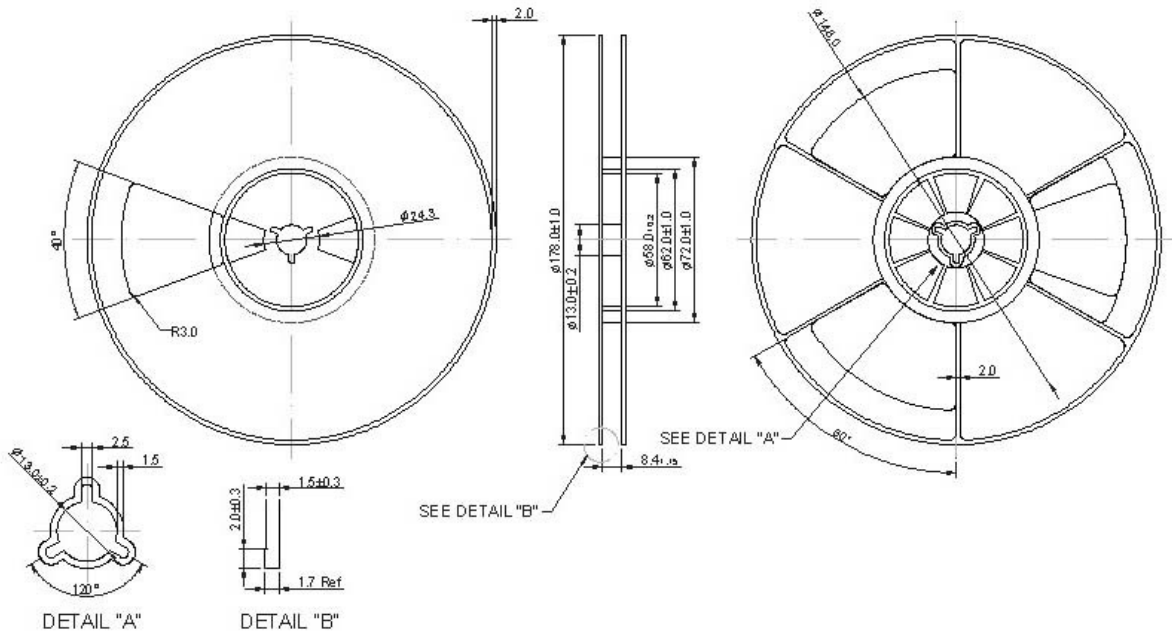
Span 200 MHz



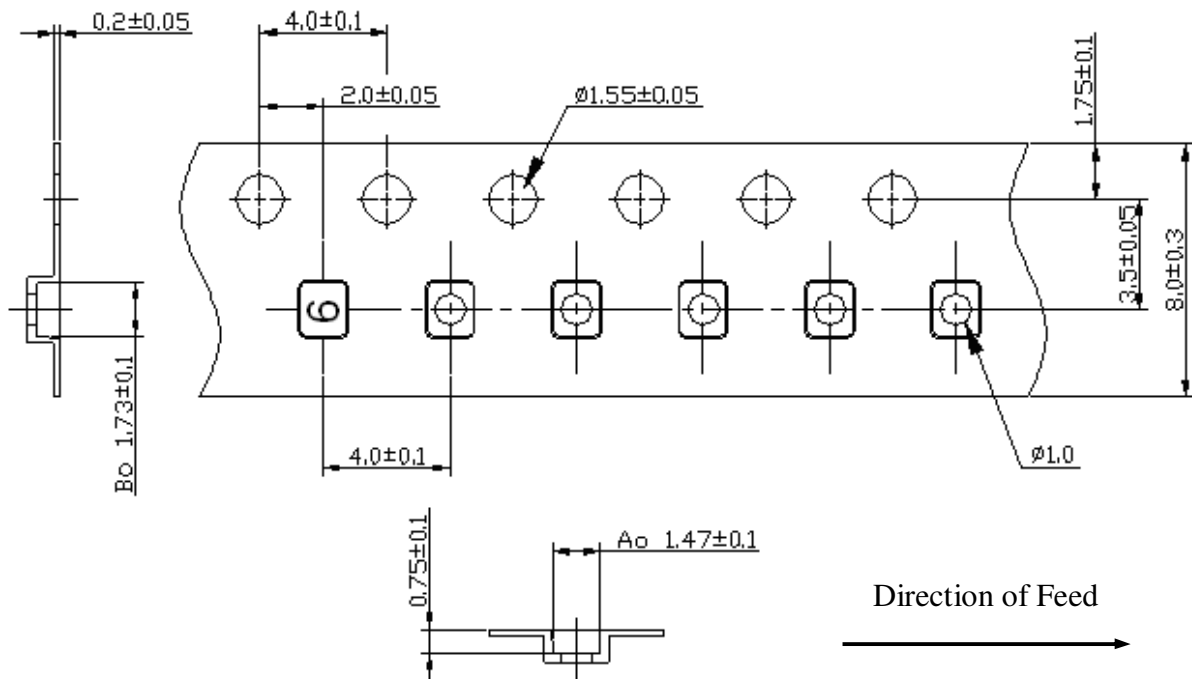
G. PACKING:

1. REEL DIMENSION

(Please refer to FR-75D10 for packing quantity)



2. TAPE DIMENSION



H. RECOMMENDED REFLOW PROFILE :

1. Preheating shall be fixed at 150~180°C for 60~90 seconds.
2. Ascending time to preheating temperature 150°C shall be 30 seconds min.
3. Heating shall be fixed at 220°C for 50~80 seconds and at 260°C +0/-5°C peak (20~40sec).
4. Time: 2 times.

