



TAI-SAW TECHNOLOGY CO., LTD.

No. 3, Industrial 2nd Rd., Ping-Chen Industrial District,
Taoyuan, 324, Taiwan, R.O.C.

TEL: 886-3-4690038 FAX: 886-3-4697532

E-mail: tstsales@mail.taisaw.com Web: www.taisaw.com

Product Specifications Approval Sheet

Product Description: SAW Filter 2491.75 MHz SMD 1.4x1.1 mm (BW=16.5 MHz)

TST Part No.: TA2301A

Customer Part No.: _____

Customer signature required
Company: _____
Division: _____
Approved by : _____
Date: _____

Checked by: _____ David Chang *David* _____

Approved by: _____ Andy Yu *Andy Yu* _____

Date: _____ 2019/10/17 _____

1. Customer signed back is required before TST can proceed with sample build and receive orders.
2. Orders received without customer signed back will be regarded as agreement on the specifications.
3. Any specifications changes must be approved upon by both parties and a new revision of specifications shall be released to reflect the changes.



TAI-SAW TECHNOLOGY CO., LTD.

No. 3, Industrial 2nd Rd., Ping-Chen Industrial District,
Taoyuan, 324, Taiwan, R.O.C.

TEL: 886-3-4690038 FAX: 886-3-4697532

E-mail: tstsales@mail.taisaw.com Web: www.taisaw.com

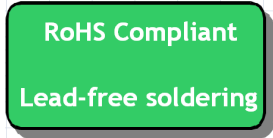
SAW Filter 2491.75 MHz

MODEL NO.: TA2301A

REV. NO.:2

A. MAXIMUM RATING:

1. Input Power Level: 7 dB_m
2. DC voltage: 3 V
3. Operating Temperature: -30°C to +80°C
4. Storage Temperature: -40°C to +85°C
5. Moisture Sensitivity Level: Level 2a(**MSL 2a**)

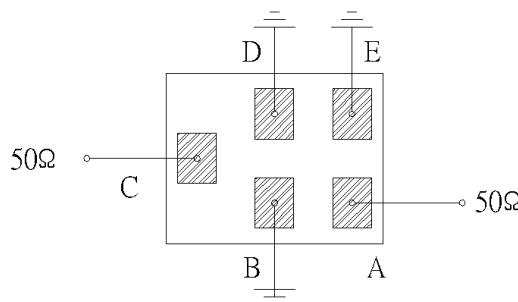


Electrostatic Sensitive Device (ESD)

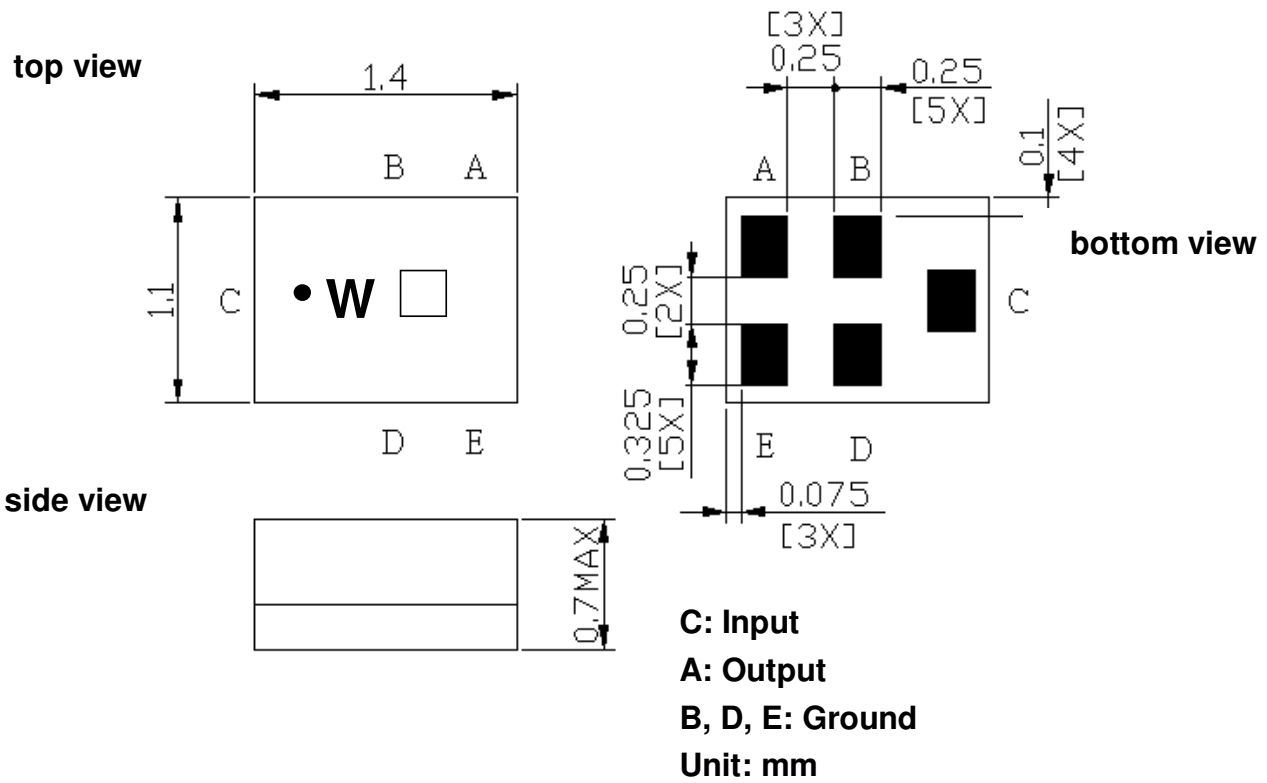
B. ELECTRICAL CHARACTERISTICS:

Item	Unit	Min.	Typ.	Max.
Center frequency F_c	MHz	-	2491.75	-
Insertion Loss (2483.5~2500 MHz) IL	dB	-	3.1	4.25
Amplitude Variation (2483.5~2500) (over any 1.23 MHz span)	dB	-	0.3	1.0
Phase Linearity (2483.5~2500 MHz) (over any 1.23 MHz span)	deg(rms)	-	0.1	2.5
Input/Output VSWR (2483.5~2500 MHz)	-	-	1.9	-
Attenuation (Reference level from 0 dB)				
1610 ~ 1626.5 MHz	dB	33	58	-
2033 ~ 2051 MHz	dB	28	68	-
2259 ~ 2275 MHz	dB	23	54	-
2400 ~ 2440 MHz	dB	13	42	-
2440 ~ 2450 MHz	dB	12	37	-
2570 ~ 2600 MHz	dB	15	62	-
Temperature Coefficient of Frequency	Ppm/°C	-	-36	-

C. MEASUREMENT CIRCUIT:



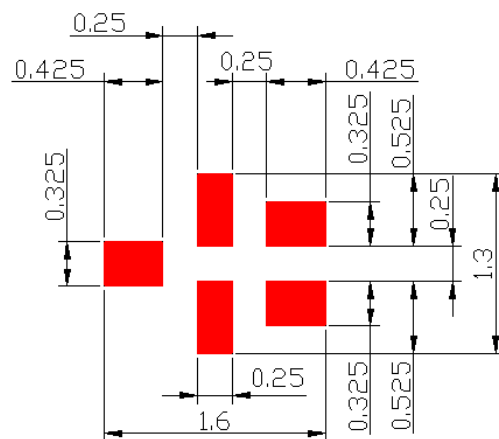
D. OUTLINE DRAWING:



□ : Year/Month Code (Follow the table)

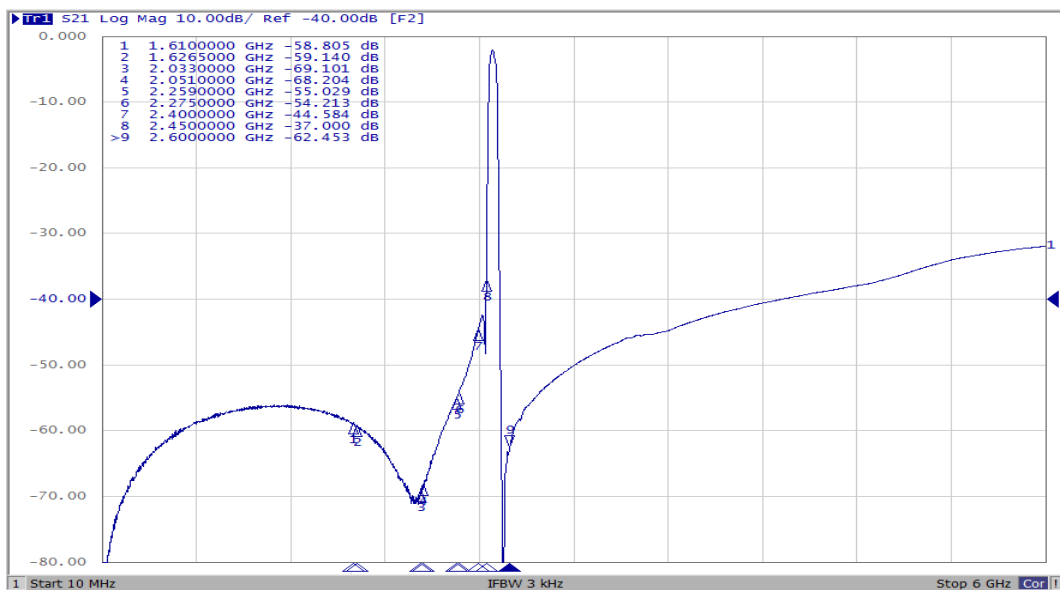
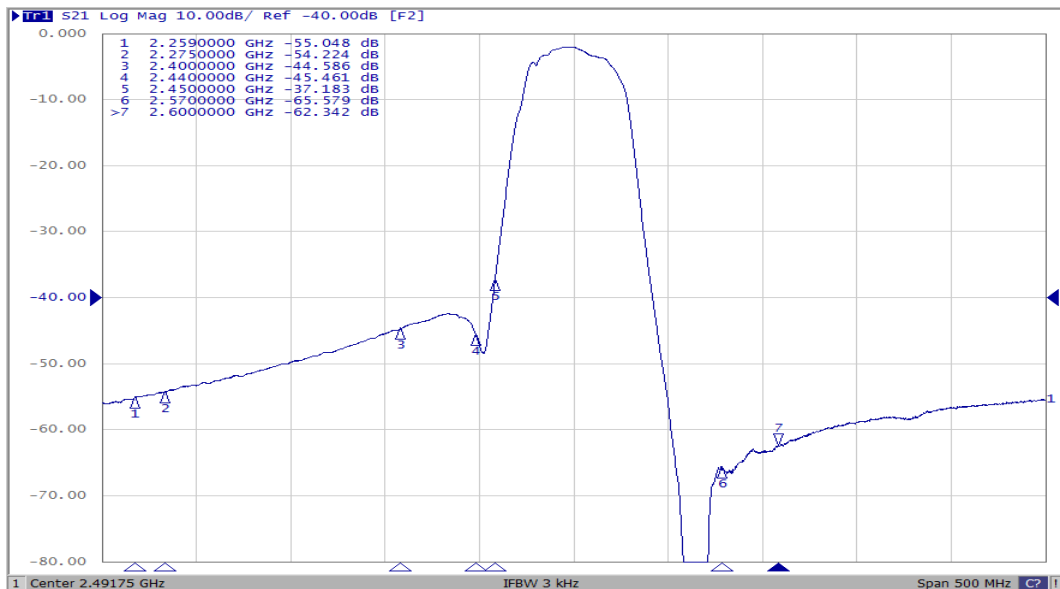
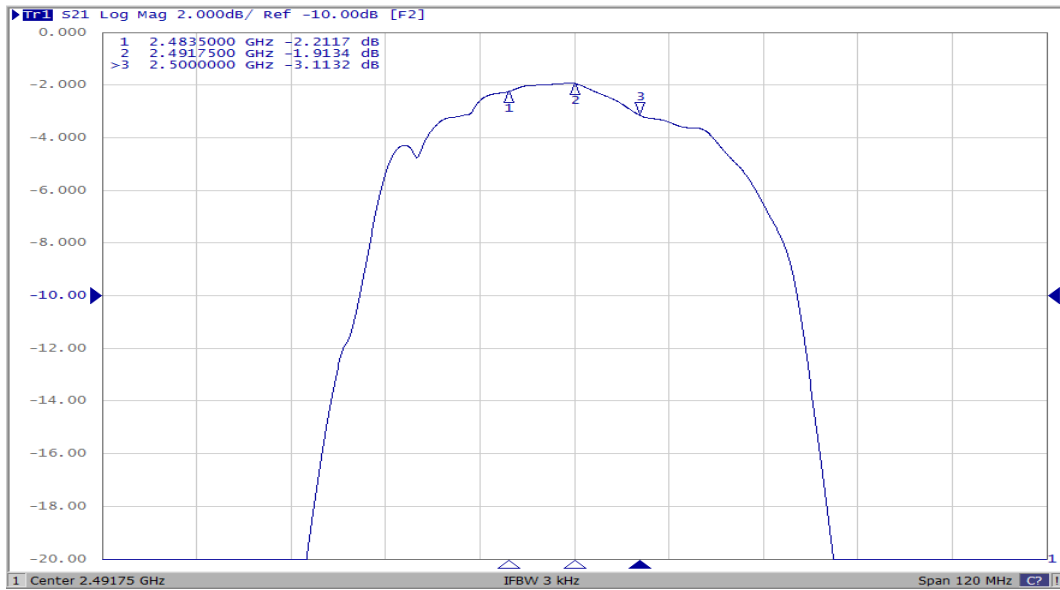
YEAR/Month	1	2	3	4	5	6	7	8	9	10	11	12
2013	A	B	C	D	E	F	G	H	J	K	L	M
2014	N	P	Q	R	S	T	U	V	W	X	Y	Z
2015	a	b	c	d	e	f	g	h	j	k	l	m
2016	n	p	q	r	s	t	u	v	w	x	y	z
2017	<u>A</u>	<u>B</u>	<u>C</u>	<u>D</u>	<u>E</u>	<u>F</u>	<u>G</u>	<u>H</u>	<u>J</u>	<u>K</u>	<u>L</u>	<u>M</u>
2018	<u>N</u>	<u>P</u>	<u>Q</u>	<u>R</u>	<u>S</u>	<u>T</u>	<u>U</u>	<u>V</u>	<u>W</u>	<u>X</u>	<u>Y</u>	<u>Z</u>
2019	<u>a</u>	<u>b</u>	<u>c</u>	<u>d</u>	<u>e</u>	<u>f</u>	<u>g</u>	<u>h</u>	<u>i</u>	<u>k</u>	<u>l</u>	<u>m</u>
2020	<u>n</u>	<u>p</u>	<u>q</u>	<u>r</u>	<u>s</u>	<u>t</u>	<u>u</u>	<u>v</u>	<u>w</u>	<u>x</u>	<u>y</u>	<u>z</u>

E. PCB Footprint:



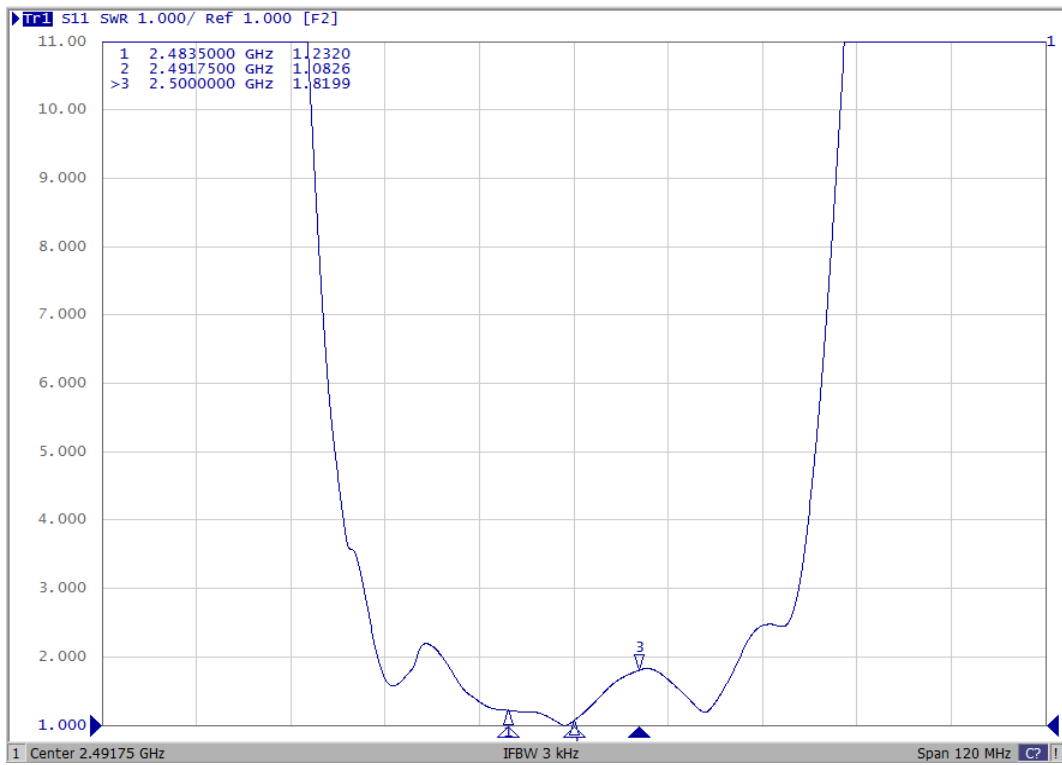
■ : Land Pattern
 Unit : mm

F. Frequency Characteristics:

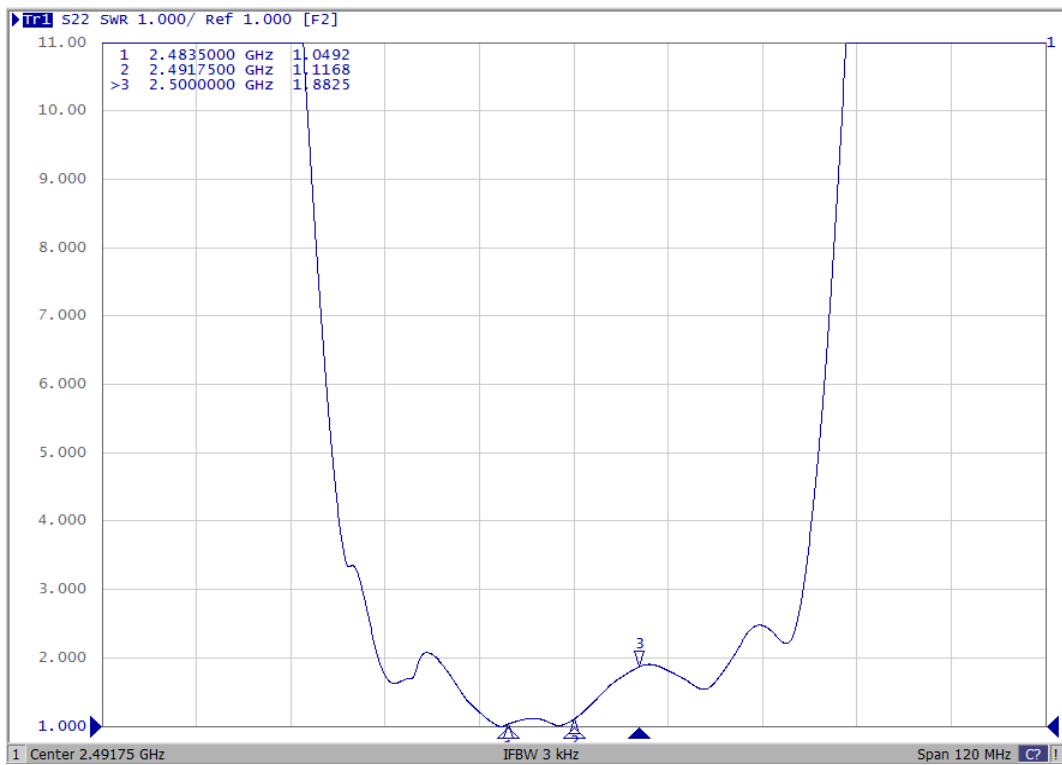


Reflection Functions:

S11



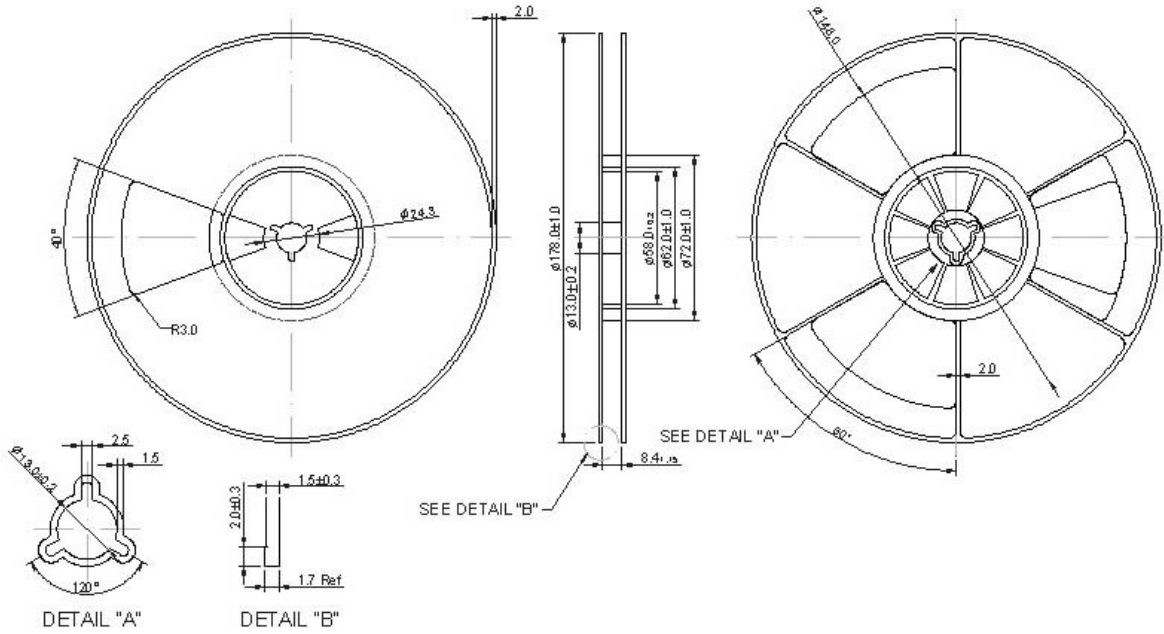
S22



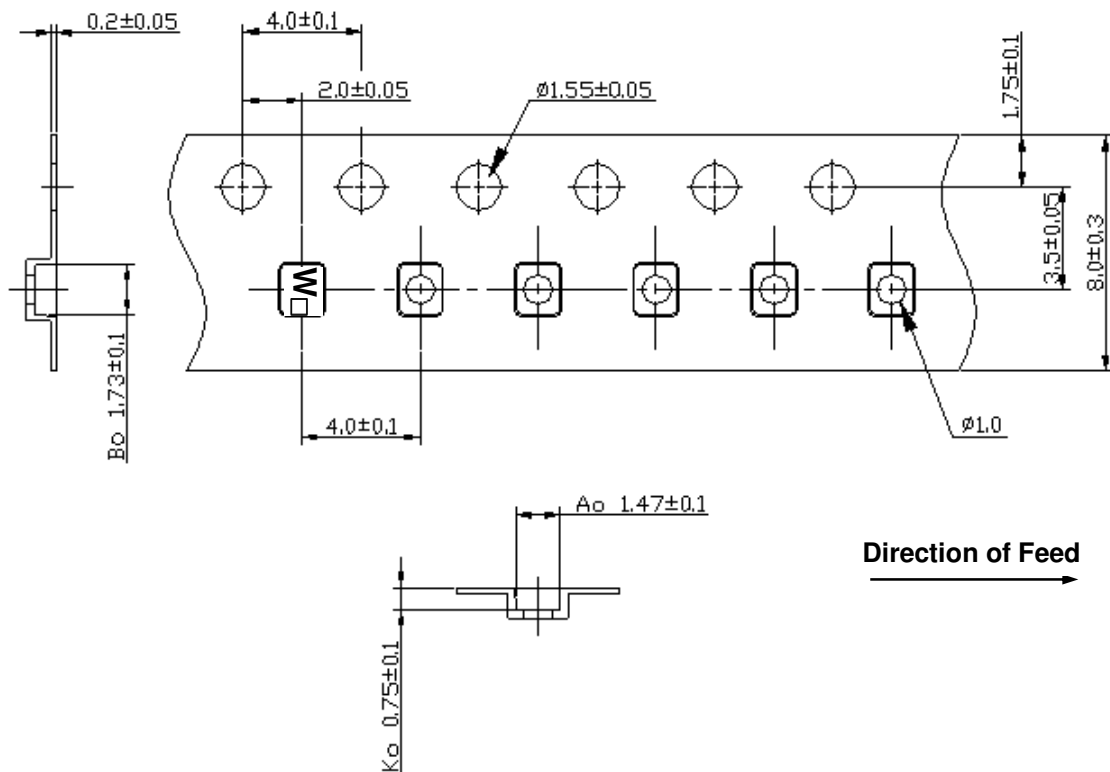
G. PACKING: (Ref. WI-75M03)

1. REEL DIMENSION

(Please refer to FR-75D10 for packing quantity)



2. TAPE DIMENSION



H. Recommended Reflow Profile:

1. Preheating shall be fixed at 150~180°C for 60~90 seconds.
2. Ascending time to preheating temperature 150°C shall be 30 seconds min.
3. Heating shall be fixed at 220°C for 50~80 seconds and at 260°C+0/-5°C peak (20~40sec).
4. Time: 2 times.

