



TAI-SAW TECHNOLOGY CO., LTD.

No. 3, Industrial 2nd Rd., Ping-Chen Industrial District,
Taoyuan, 324, Taiwan, R.O.C.

TEL: 886-3-4690038 FAX: 886-3-4697532

E-mail: tstsales@mail.taisaw.com Web: www.taisaw.com

Approval Sheet For Product Specification

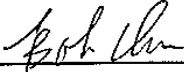
Issued Date: Sep, 5, 2008

Product Name: SAW Filter 719 MHz SMD 3.0X3.0 mm

TST Parts No.: TA0920A

Customer Parts No.: _____

Company: _____
Division: _____
Approved by : _____
Date: _____

Checked by: _____ Bob Chau 

Approval by: _____ Francis Chen 

Date: _____ 9, 5, 2008



TAI-SAW TECHNOLOGY CO., LTD.

No. 3, Industrial 2nd Rd., Ping-Chen Industrial District,
Taoyuan, 324, Taiwan, R.O.C.

TEL: 886-3-4690038 FAX: 886-3-4697532

E-mail: tstsales@mail.taisaw.com Web: www.taisaw.com

Approval Sheet For Product Specification

Issued Date: Sep, 5, 2008

Product Name: SAW Filter 719 MHz SMD 3.0X3.0 mm

TST Parts No.: TA0920A

Customer Parts No.: _____

Company: _____
Division: _____
Approved by : _____
Date: _____

Checked by: _____ Bob Chau

Approval by: _____ Francis Chen

Date: _____ 9, 5, 2008



TAI-SAW TECHNOLOGY CO., LTD.

No. 3, Industrial 2nd Rd., Ping-Chen Industrial District,
Taoyuan, 324, Taiwan, R.O.C.

TEL: 886-3-4690038 FAX: 886-3-4697532

E-mail: tstsales@mail.taisaw.com Web: www.taisaw.com

SAW Filter 719 MHz

MODEL NO.:TA0920A

REV. NO.:1

A. MAXIMUM RATING:

1. Input Power Level: 10 dBm
2. DC Voltage : 3V
3. Operating Temperature: -30°C to +85°C
4. Storage Temperature: -40°C to +85°C

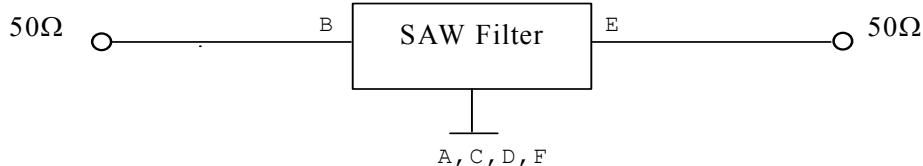
RoHS Compliant
Lead free
Lead-free soldering

B. ELECTRICAL CHARACTERISTICS:

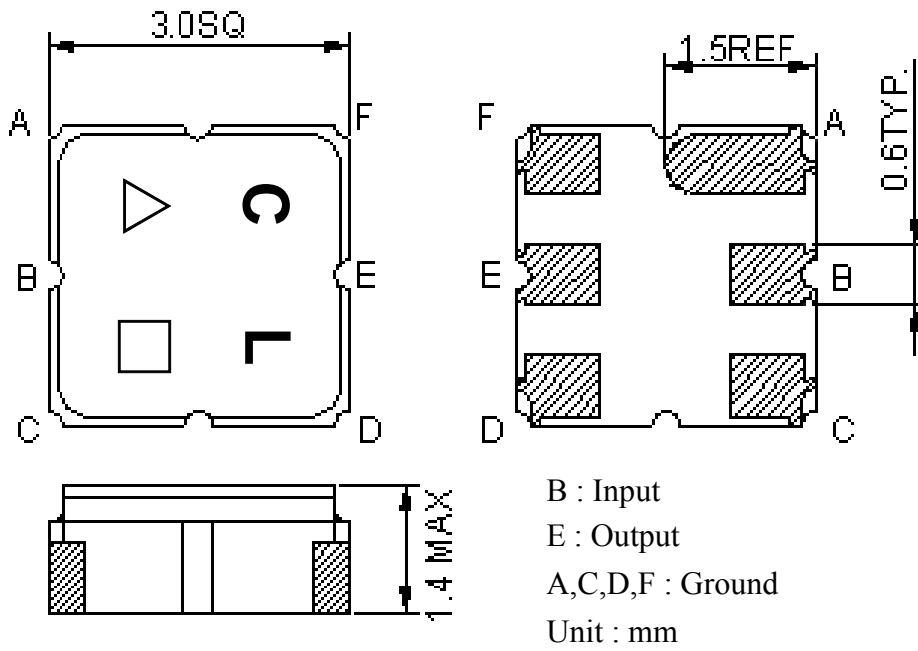
Item	Unit	Min.	Type.	Max.	Note
Center Frequency Fc	MHz	-	719	-	-
Min. Insertion loss (716.5~721.5 MHz) IL	dB	-	2.1	3	-
Amplitude Ripple (716.5 ~ 721.5 MHz)	dB	-	0.4	2	-
Return Loss (716.5~721.5 MHz)	dB	10	15	-	-
Group Delay Ripple (716.5~721.5 MHz)	ns	-	25	80	-
Attenuation (Reference level from 0 dB)					
D.C ~ 690 MHz	dB	40	54	-	-
690 ~ 704 MHz	dB	35	41	-	-
734 ~ 750 MHz	dB	27	37	-	-
750 ~ 824 MHz	dB	37	53	-	-
824 ~ 960 MHz	dB	45	52	-	-
960 ~ 2500 MHz	dB	20	35	-	-
Temperature coefficient of frequency TCf		-36 ppm / °C			

C. MEASUREMENT CIRCUIT:

HP Network analyzer



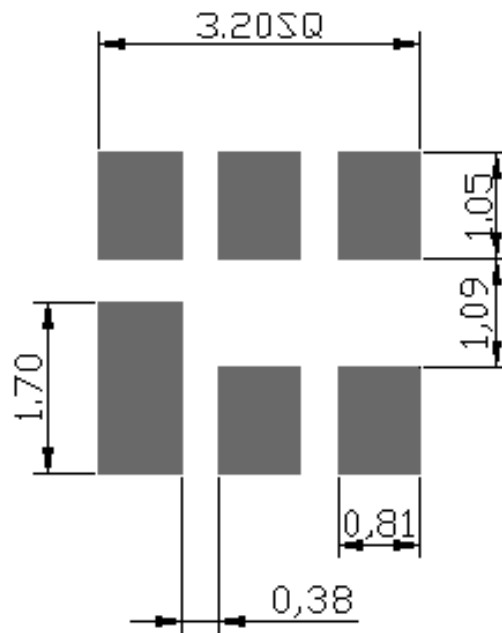
D.OUTLINE DRAWING:



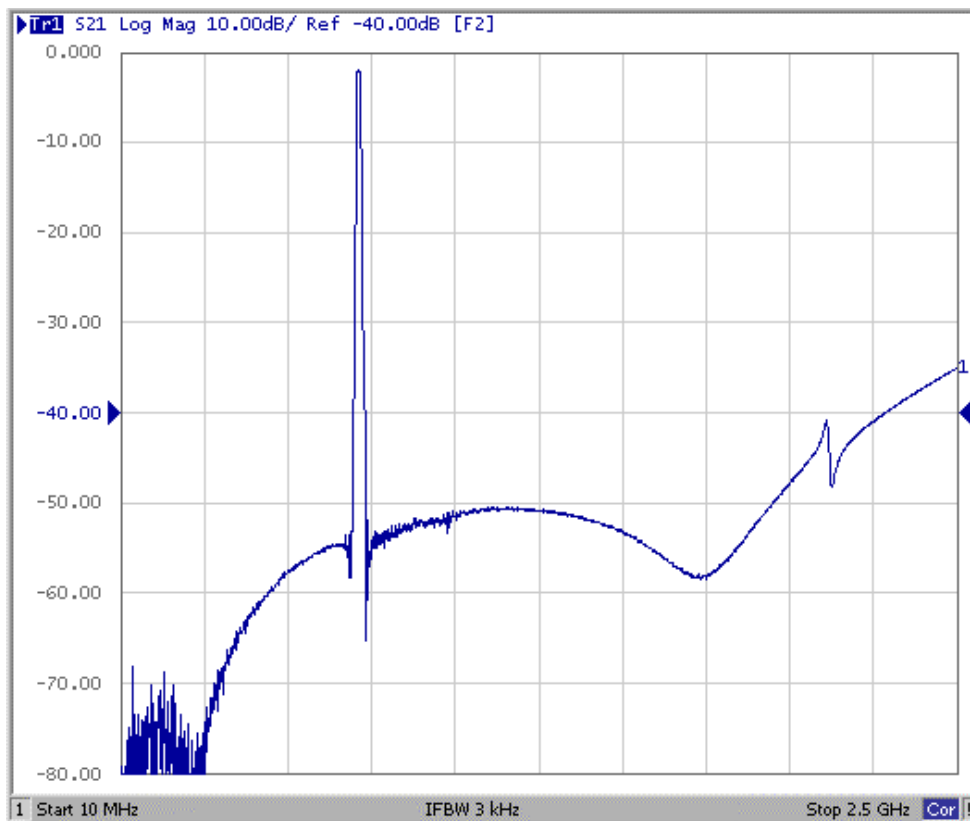
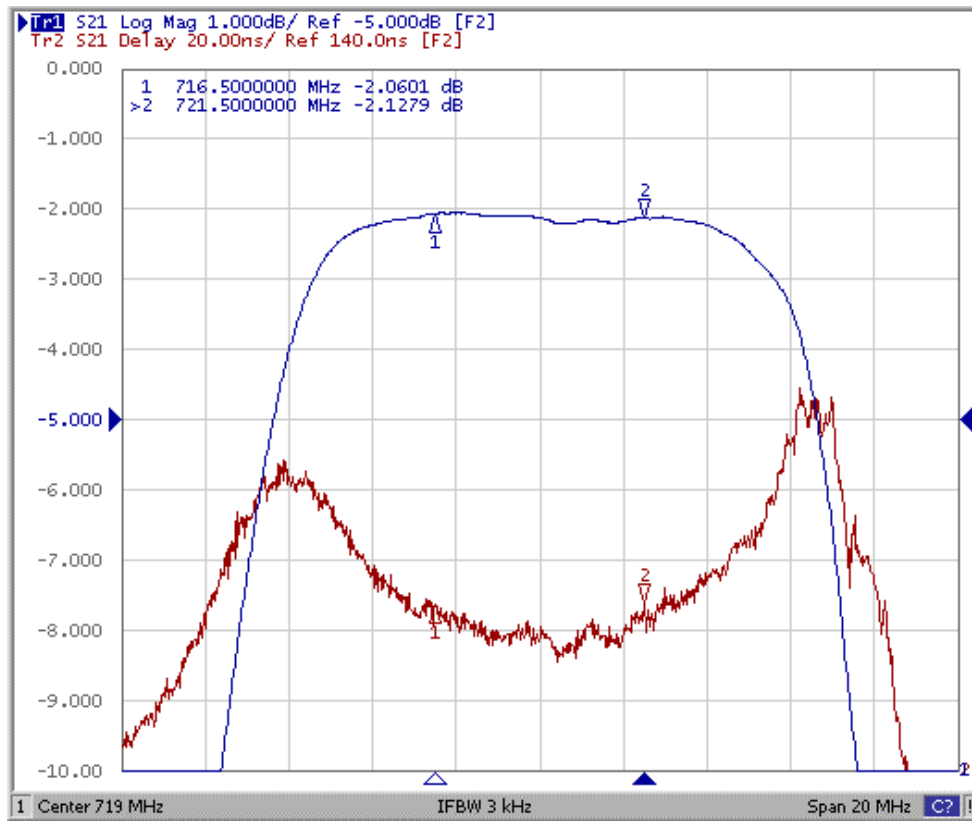
△ : Year Code (2006->6, ..., 2009->9)

□ : Date Code (Follow the table from planner each year)

E. PCB Footprint:

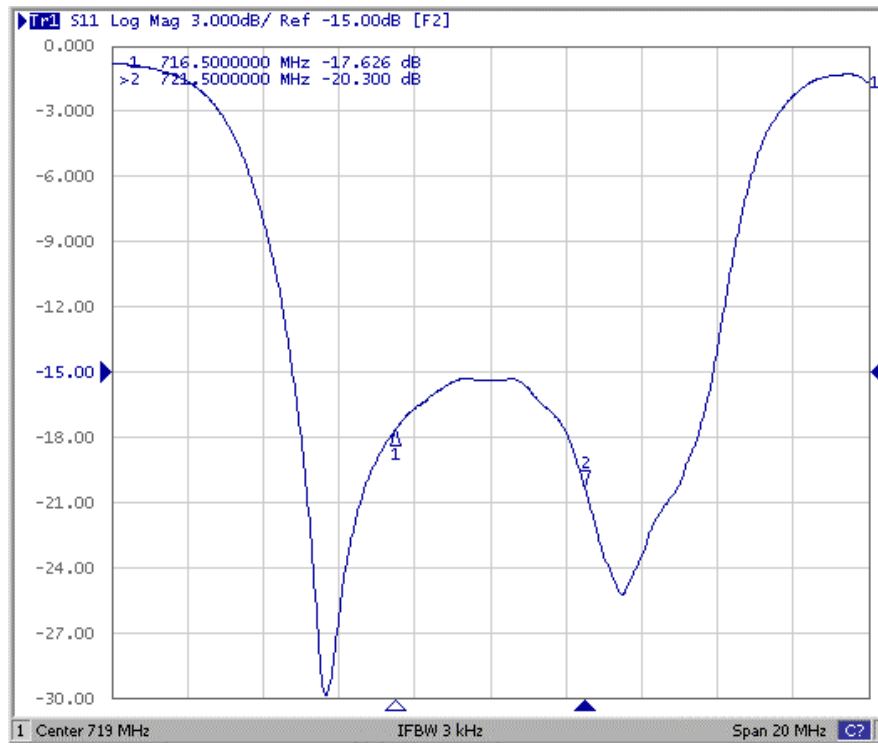


F. Frequency Characteristics :

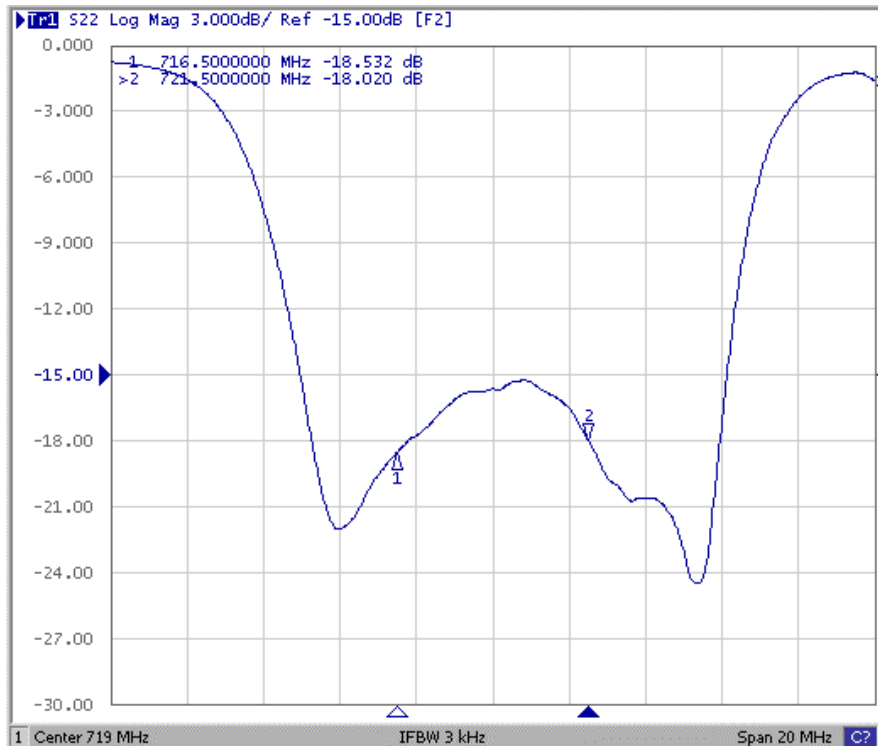


Reflection Functions :

S11



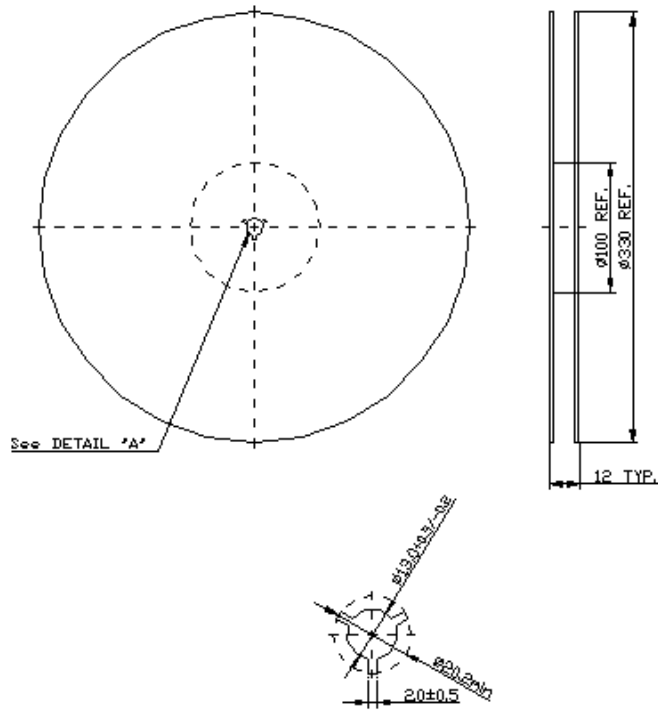
S22



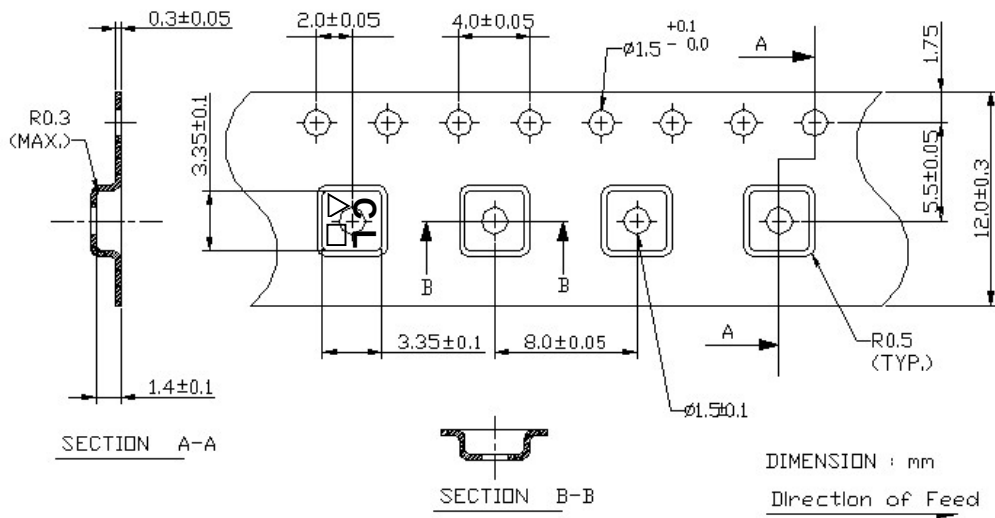
G. PACKING:

1. REEL DIMENSION

(Reel Count : 7"=1000 ; 13"=3000)



2. TAPE DIMENSION



H. RECOMMENDED REFLOW PROFILE :

